

GeneralAire® TERSus Model 1200 & 2000

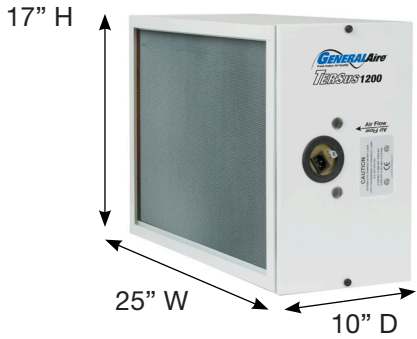
Spec Sheet



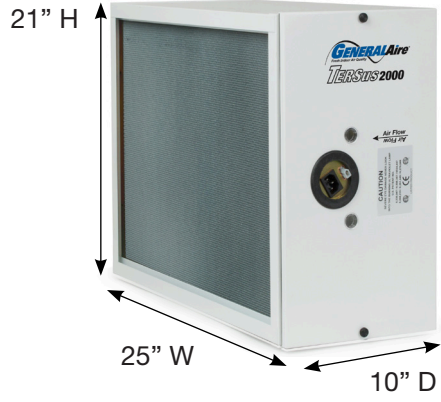
TERSus
1200



TERSus
2000



TERSus
Service Panel
Pre-Built Into
The Unit -
(Tells you when
to change your
filter and bulbs)



TERSus 1200 Specifications

- GFI #4570
- (Capacity 1/2 to 3.0 tons)
- Unit Size: 17" H x 25" W x 10" D
- Power: 120V/60 Hz .6 Amps 49.2 Watts
- Fuse: Replace only with AGC-2 fuse
- Application: 3 Ton Drive Air Handler / Furnace
- Max Face Velocity: 500 FPM
- Max Air Flow: 1200 CFM
- Service: U.V. Lamps - 1 year / Filter - 6 months
- UV Lamps: LT016 (GFI #4564) two required
- Repl. Media: MERV13 F1021 (GFI #4572)
MERV11 Option: F1018 (GFI #4571)
- U.V. Range: 254 NM (germicidal)
- Catalyst: Metal Oxides 56 Sq. Feet
- Weight: 23 LBS
- Pallet Size: 10

TERSus 2000 Specifications

- GFI #4560
- (Capacity 3-1/2 to 5.0 tons)
- Unit Size: 21" H x 25" W x 10" D
- Power: 120V/60 Hz .6 Amps 49.2 Watts
- Fuse: Replace only with AGC-2 fuse
- Application: 5 Ton Drive Air Handler / Furnace
- Max Face Velocity: 625 FPM
- Max Air Flow: 2000 CFM
- Service: UV. Lamps - 1 year / Filter - 6 months
- UV Lamps: LT016 (GFI #4564) two required
- Repl. Media: MERV13 F1020 (GFI #4562)
MERV11 Option: F1016 (GFI #4561)
- U.V. Range: 254 NM (germicidal)
- Catalyst: Metal Oxides 70 Sq. Feet
- Weight: 36 LBS
- Pallet Size: 10

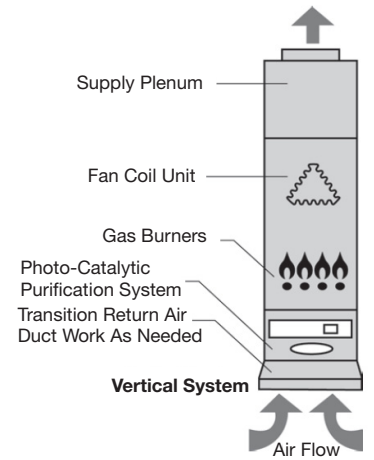
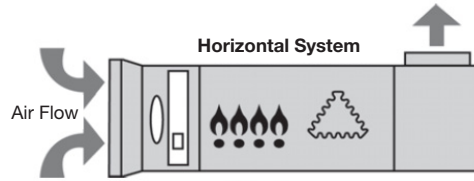
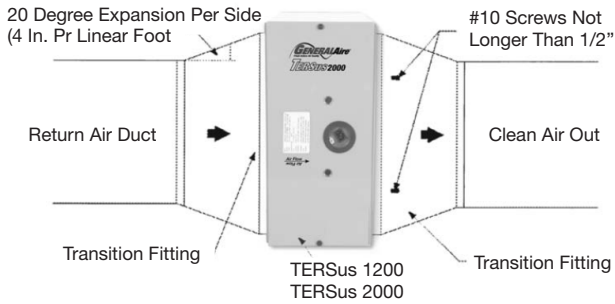
Air Cycles Per Hour / Day	
Based on 3,000 Sq. Ft.	
Fan unit on for 10 minutes per hour	Air cycled 1 times per hour / 24 times per day
Fan unit on for 15 minutes per hour	Air cycled 1.3 times per hour / 31 times per day
Fan unit on for 20 minutes per hour	Air cycled 1.75 times per hour / 42 times per day
Fan unit on for 30 minutes per hour	Air cycled 2.62 times per hour / 63 times per day



GeneralAire® TERSus Model 1200 & 2000

Spec Sheet

Transitions For In-Duct Mounting



For TERSus1200 1^{1/2} - 3 Ton Drive Systems

Air Flow & Resistance Data At MERV13:	Air Flow (cfm)	Resistance (in w.g.)	Air Velocity (fpm)
	400	0.09	144
	800	0.18	288
	1200	0.30	433
	1600	0.38	577

For TERSus2000 3^{1/2} - 5 Ton Drive Systems

Air Flow & Resistance Data At MERV13:	Air Flow (cfm)	Resistance (in w.g.)	Air Velocity (fpm)
	1000	0.18	288
	1500	0.30	432
	2000	0.38	576
	2500	0.50	720

Wiring Diagram

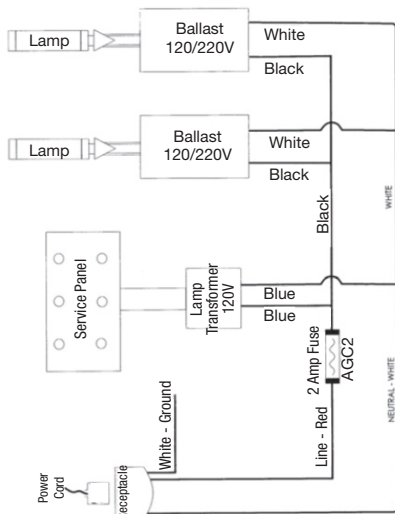


Fig. 10 Electrical Diagram

Maintenance



Filter Replacement



UV Bulb Replacement

Go to: www.generalfilters.com/support-center/video-library for videos demonstrating how to change your filter and bulbs.