

# GeneralAire® Humidifier Model 1137

# Spec Sheet

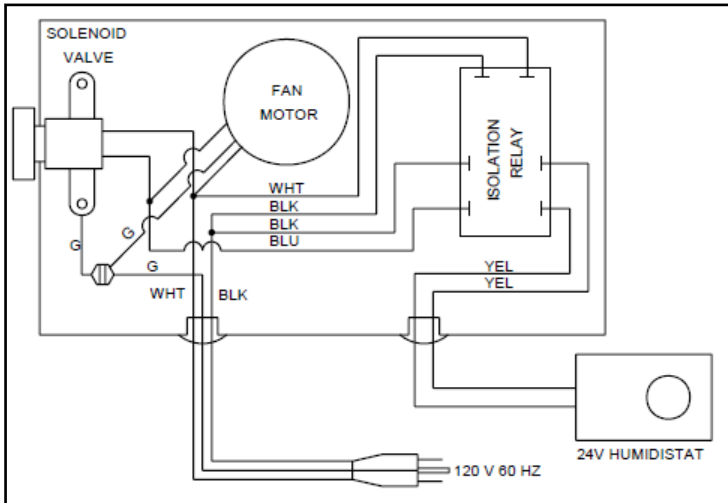
## Specifications:

- **Model:** 1137 Legacy Flow Through Humidifier (GFI #5137)
- **Type:** Fan Powered Flow Through
- **GPD:** 18 Based on 120° Plenum Temperature
- **Warranty:** 5 Years
- **Replacement Vapor Pad®:** 990-13 (GFI#7002)  
(Replace 1-2 times per season)
- **Dimensions:** 16" W x 14" H x 10" D
- **Weight:** 19 Lbs.
- **Home Size:** To 3,000 Sq. Ft.
- **Installation:** Warm Air Plenum
- **Plenum Opening:** 15" W X 9.5" H
- **Bypass Duct:** 6"
- **Pallet Qty:** 21
- **Cabinet Construction:** DuraPlast® Ultra-Violet Stable Automotive Grade Plastic
- **Humidistat:** Models: MHX3C (Included)
- **In Box:** Humidifier, humidistat, Installation Instructions, Vapor Pad®, Parts Kit, Water Tube Kit, Humidistat Wire, Drain Pan, Power Supply Cord, Water Distribution Trough.
- **Voltage:** 120V



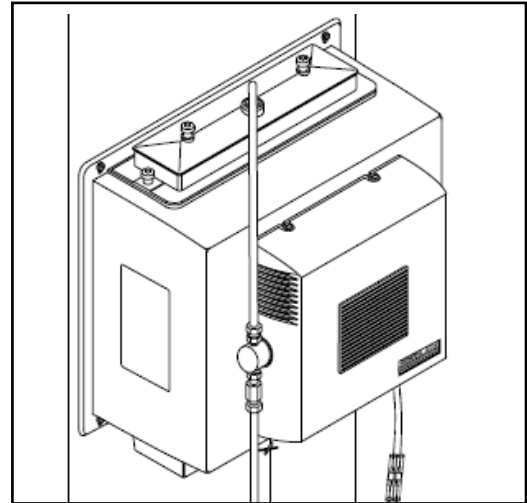
MHX3C  
Manual Humidistat  
GFI #7038  
Included

## Wiring Illustration



The humidifier is connected to the 120V AC circuit through a control relay. The secondary coil of an isolation transformer, a diode and resistor supply 5-10 volts DC for the control circuit which also includes the humidistat and relay coil. When the control circuit is completed by the humidistat, the relay closes, supplying 120 volts to the fan motor and solenoid valve.

## Typical Installation



1137 Installed on the warm air plenum.

# GeneralAire® Humidifier Model 1137

# Spec Sheet

## Expected Humidity Performance Coverage in Sq. Ft. Based on Construction Type:

Model No.	GPD	Loose (0.75 AC/H)	Average (0.50 AC/H)	Tight (0.30 A/CH)
1042LH	17	800 Sq. Ft.	1500 Sq. Ft.	2800 Sq. Ft.
1099LHS	19	1175 Sq. Ft.	1770 Sq. Ft.	3000 Sq. Ft.
<b>1137</b>	<b>18</b>	<b>1175 Sq. Ft.</b>	<b>1770 Sq. Ft.</b>	<b>3000 Sq. Ft.</b>
SL16	17	800 Sq. Ft.	1500 Sq. Ft.	2800 Sq. Ft.

Go to [www.generalaire.com / support center / humidification calculator](http://www.generalaire.com/support-center/humidification-calculator) to assist in humidifier selection.

## Humidifier Performance Baseline Criteria

Outside Design Temp.	0°F (-18°C)
Outside Design R.H.	70% R.H.
Inside Design Temp.	70°F (21°C)
Inside Design R.H.	30% R.H.
Air Changes / Hour (AC/H)	0.30
Ceiling Height	8 ft.
Furnace Plenum Temp.	120°F (49°C)
Furnace Run Time for Calculating Sq. Ft.	8 Hr. / Day

## Recommended Settings:

At Outside Temperature		Recommended Setting
-20°F	-29°C	15%
-10°F	-23°C	20%
0°F	-18°C	25%
10°F	-12°C	30%
20°F	-7°C	35%
30°F	-1°C	40%