



MODEL SL16 LEGACY POWER HUMIDIFIER

19.2 GPD

Includes all components normally required for complete installation

MHX3 Humidistat

990-13 Evaporator Pad

15' Drain Hose 5/8" diameter

Transformer

Solenoid Valve

Saddle Valve

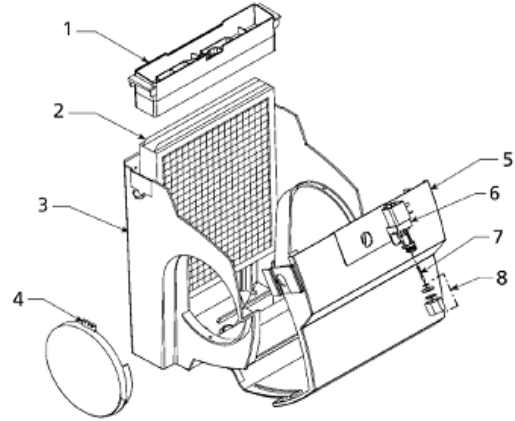
2' Flexible By Pass 6" Duct Assembly c/w Damper

6" Start Collar

10' Water Supply Tubing

10' Low Voltage Wire

5 Year Warranty



| Item | Description | Product Code |
|-----------------|------------------------------------|--------------|
| | Model SL16DM Humidifier | GF-SL16DM |
| 1 | Distributor Trough | GF-16-4 |
| 2 | Evaporator Pad (6/ctn) | GF-990-13 |
| 3 | Humidifier Cabinet | GF-16-1 |
| 4 | By Pass Cover | GF-16-5 |
| 5 | Front Cover | GF-16-2 |
| 6 | Solenoid Valve Assembly | GF-16-20 |
| 7 | Strainer Screen | GF-16-12 |
| 8 | Solenoid Fitting Hardware | GF-P236 |
| ITEMS NOT SHOWN | | |
| | Transformer 24V | GP-81-45 |
| | Humidistat | GF-MHX3 |
| | Saddle Valve Assembly Self Tapping | GP-81-51SPV |
| | 6" By Pass Assembly c/w Damper | GP-81-58 |
| | 10' Poly Water Supply Kit | GP-81-60 |
| | Metal Plenum Ring | GP-1040-13 |
| | 10' Low Voltage Wire | GP-81-24 |
| | Parts Bag | GF-16-16 |
| | Drain Tubing | GP-1099-16 |